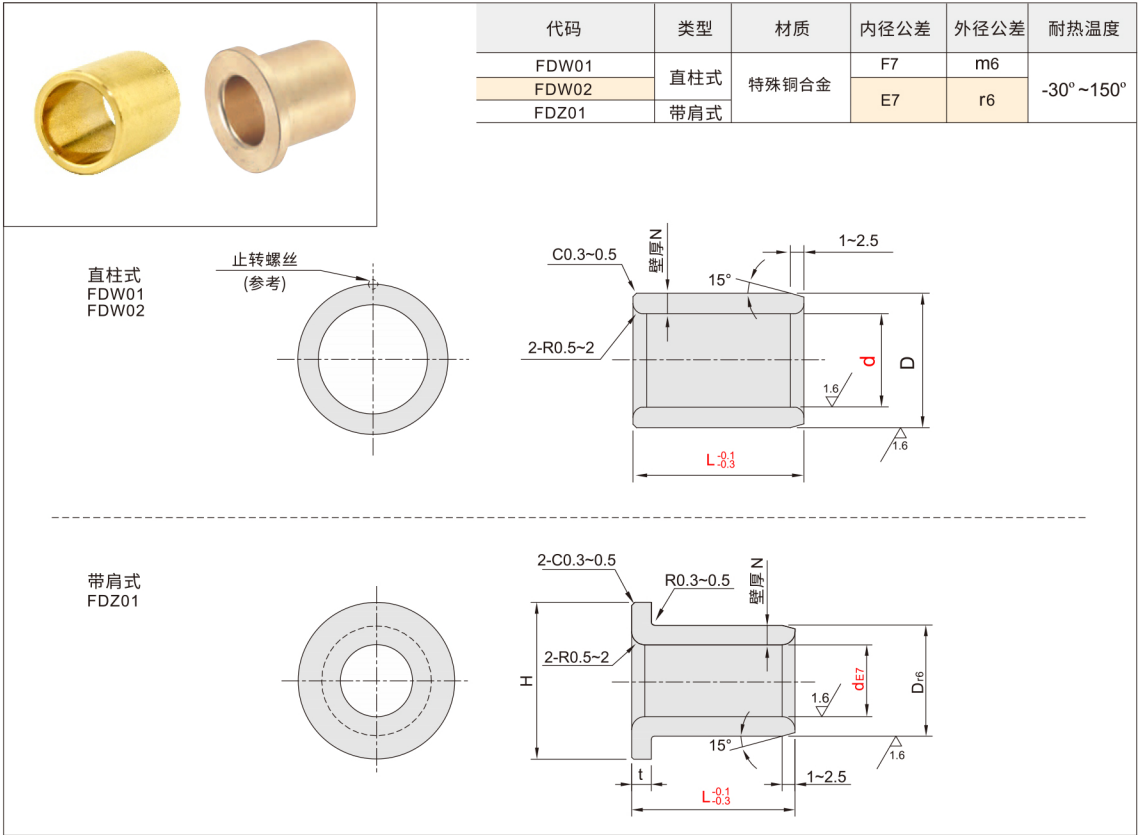


青铜直柱式无油衬套

直柱式.内径F7外径m/内径E7外径r6
带肩式.内径E7外径r6



型式				L				D	m6	r6	壁厚(N)	
代码	d	F7	E7									
FDW01 内径F7外径m6型	5	+0.022	+0.032	8	10	12	15	9	+0.015	+0.028	2	
	6	+0.010	+0.020	8	10	12	15	10	+0.006	+0.019		
	8	+0.028	+0.040	8	10	12	15	20	12	+0.018		+0.034
	10	+0.013	+0.025	8	10	12	15	20	25	14		+0.007
	12	+0.034 +0.016	+0.050 +0.032	10	12	15	20	25	18	+0.021 +0.008	+0.041 +0.028	3
	13			15	20	25	19					
	15			10	12	15	20	25	21			
	16	10	12	15	20	25	30	40	22			
	20	15	20	25	30	40	50	28				
	25	+0.041 +0.020	+0.061 +0.040	20	25	30	40	50	33	+0.025 +0.009	+0.050 +0.034	4
30	25			30	40	50	60	38				

型式			L					Dr6		壁厚(N)	H	0 t-0.1
代码	d	dE7										
FDZ01 内径E7外径r6型	5	+0.032	10	12	15		9	+0.028	2	14	2	
	6	+0.020	10	12	15	20	10	+0.019		16		
	8	+0.040	10	12	15	20	12	+0.034 +0.023		20		
	10	+0.025	10	12	15	20	25			30		22
	12	+0.050 +0.032	+0.041 +0.028	10	12	15	20	25	30	18	3	25
	13			10	12	15	20	25	30	19		26
	15			10	12	15	20	25	30	21		28
	16	12	15	20	25	30	40	22	29			
	20	12	15	20	25	30	40	50	30	40		
	25	+0.061 +0.040	+0.050 +0.034	20	25	30	40	50	35	5	45	5
30	25			30	40	50	40	50				



请按图示订货

■ FDW01-d6-L20

型式				
代码	d	F7	E7	L
FDW01	5	+0.022	+0.032	8/10/12
	6	+0.010	+0.020	15/20

■ FDZ01-d5-L10

型式		
代码	d	L
FDZ01	5	+0.032 +0.020
		10/12/15



交期Delivery

4天 发货

○本产品发货时间不含周日