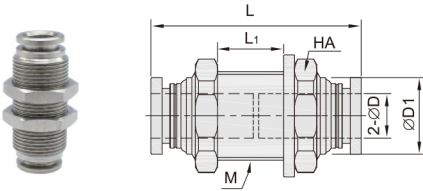
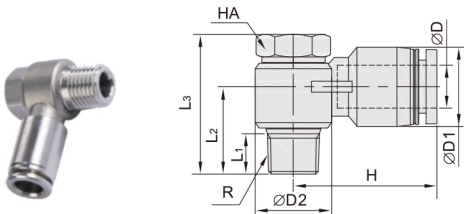


DCD08-BPM 全铜隔板直通



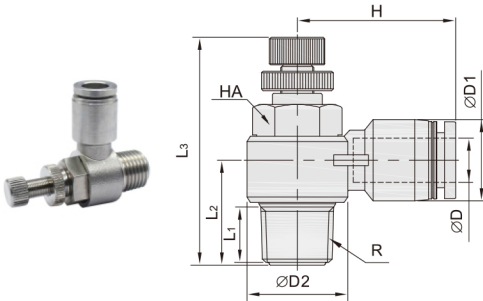
型号	ΦD	ΦD1	L	L ₁	M	HA
DCD08-BPM04	4	8.5	30.3	8	M10×1	14
DCD08-BPM06	6	12	39	13	M14×1	17
DCD08-BPM08	8	14	41.4	14	M16×1	19
DCD08-BPM10	10	16	45.3	13	M18×1	21
DCD08-BPM12	12	18	49	18	M20×1	24

DCD09-BPH 全铜外六角接头



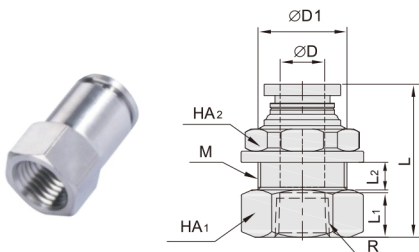
型号	ΦD	R	L ₁	L ₂	L ₃	ΦD1	ΦD2	H	HA
DCD09-BPH04-01	4	R1/8	7.5	15.5	26.5	8.5	13	22	12
DCD09-BPH04-02		R1/4	9.5	17.5	30		16.5	23.5	14
DCD09-BPH06-01	6	R1/8	7.5	15.5	26.5	12	13	26.5	12
DCD09-BPH06-02		R1/4	9.5	17.5	30		16.5	27.5	14
DCD09-BPH06-03		R3/8	10.5	19	32.5	14	21	31	19
DCD09-BPH08-01	8	R1/8	7.5	15.5	26.5	14	13	27.5	12
DCD09-BPH08-02		R1/4	9.5	17.5	30		16.5	30	14
DCD09-BPH08-03		R3/8	10.5	19	32.5	21	32	19	
DCD09-BPH08-04		R1/2	13.5	24	39	27	35	24	
DCD09-BPH10-01	10	R1/8	7.5	16.5	26.5	16	13	30	12
DCD09-BPH10-02		R1/4	9.5	17.5	30		16.5	31	14
DCD09-BPH10-03		R3/8	10.5	19	32.5	21	35	19	
DCD09-BPH10-04		R1/2	13.5	24	39	27	37	24	

DCD11-BSC 全铜节流阀标准型



型号	ΦD	R	L ₁	L ₂	L ₃ (max)	ΦD1	ΦD2	H	HA
DCD11-BSC04-M5	4	M5	3.5	11	38	8.5	10	21	8
DCD11-BSC04-01		R1/8	6.4	15	43		13	22	12
DCD11-BSC04-02		R1/4	9	17	48	16.5	23.5	14	
DCD11-BSC06-M5	6	M5	3.5	11	38	12	10	24	8
DCD11-BSC06-01		R1/8	6.4	15	43		13	26.5	12
DCD11-BSC06-02		R1/4	9	17	48	16.5	27.5	14	
DCD11-BSC06-03		R3/8	10.5	20	53	21	31	19	
DCD11-BSC08-01	8	R1/8	6.4	15	43	14	13	27.5	12
DCD11-BSC08-02		R1/4	9	17	48		16.5	30	14
DCD11-BSC08-03		R3/8	10.5	20	53	21	32	19	
DCD11-BSC08-04		R1/2	14	26	61	27	35	24	
DCD11-BSC10-01	10	R1/8	63.4	16	43	16	13	30	12
DCD11-BSC10-02		R1/4	9	17	48		13	31	14
DCD11-BSC10-03		R3/8	10.5	20	53	21	35	19	
DCD11-BSC10-04		R1/2	14	26	61	27	37	24	

DCD12-BPMF 全铜隔板内螺纹直通



型号	ΦD	R	L	L ₁	L ₂	ΦD1	HA ₁	HA ₂	M
DCD12-BPMF04-01	4	R1/8	23	8.5	6	8.5	14	14	M10×1
DCD12-BPMF04-02		R1/4	25.5	11					
DCD12-BPMF06-01	6	R1/8	28	8.5	7	12	17	17	M14×1
DCD12-BPMF06-02		R1/4	30.5	11					
DCD12-BPMF06-03		R3/8	31.5	12			21		
DCD12-BPMF08-01	8	R1/8	29	8.5	7.5	14	19	19	M16×1
DCD12-BPMF08-02		R1/4	31.5	11					
DCD12-BPMF08-03		R3/8	32.5	12			21		
DCD12-BPMF08-04		R1/2	34.5	14			24		
DCD12-BPMF10-01	10	R1/8	31	8.5	9.5	16	21	21	M18×1
DCD12-BPMF10-02		R1/4	33.5	11					
DCD12-BPMF10-03		R3/8	34.5	12			24		
DCD12-BPMF10-04		R1/2	36.5	14					
DCD12-BPMF12-02	12	R1/4	35	11	10	18	24		M20×1
DCD12-BPMF12-03		R3/8	36	12					
DCD12-BPMF12-04		R1/2	38	14					