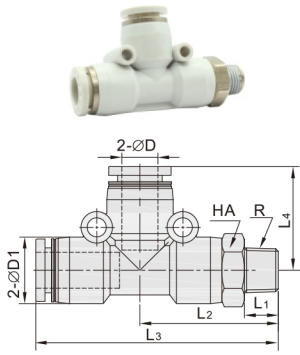


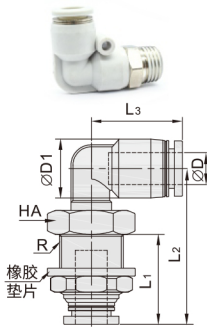
## DCA11-CPD 螺纹侧三通



型号	ΦD	R	L <sub>1</sub>	L <sub>2</sub>	L <sub>3</sub>	L <sub>4</sub>	ΦD1	HA
DCA11-CPD04-M5	4	M5	3.5	22.5	41.5	19	11.5	10
DCA11-CPD04-M6		M6	4	23	42			
DCA11-CPD04-01	4	R1/8	7.5	25	44	19	11.5	17
DCA11-CPD04-02		R1/4	9.5	28	47			
DCA11-CPD04-03	4	R3/8	10.5	29.5	48.5	19	11.5	17
DCA11-CPD06-M5		M5	3.5	23.2	42.4			
DCA11-CPD06-M6	6	M6	4	23.7	42.9	19.2	13.5	12
DCA11-CPD06-01		R1/8	7.5	25.7	44.9			
DCA11-CPD06-02	6	R1/4	9.5	28.2	47.5	19.2	13.5	14
DCA11-CPD06-03		R3/8	10.5	29.7	49			
DCA11-CPD06-04	6	R1/2	13.5	33.2	52.5	19.2	13.5	21
DCA11-CPD08-01		R1/8	7.5	29.5	52			
DCA11-CPD08-02	8	R1/4	9.5	31.5	54	22.5	15	14
DCA11-CPD08-03		R3/8	10.5	33	55.5			

型号	ΦD	R	L <sub>1</sub>	L <sub>2</sub>	L <sub>3</sub>	L <sub>4</sub>	ΦD1	HA
DCA11-CPD08-04	8	R1/2	13.5	36.5	59	22.5	15	21
DCA11-CPD10-01		R1/8	7.5	35	63			
DCA11-CPD10-02	10	R1/4	9.5	37	65.5	27.8	19	17
DCA11-CPD10-03		R3/8	10.5	38	66.5			
DCA11-CPD10-04	10	R1/2	13.5	41.8	70	27.8	19	17
DCA11-CPD12-01		R1/8	7.5	36	65.5			
DCA11-CPD12-02	12	R1/4	9.5	38.5	68	29.5	21.5	21
DCA11-CPD12-03		R3/8	10.5	39.5	69			
DCA11-CPD12-04	12	R1/2	13.5	42.5	72	29.5	21.5	21
DCA11-CPD14-03		R3/8	10.5	41	70			
DCA11-CPD14-04	14	R1/2	13.5	44	73	30	23.5	22
DCA11-CPD16-03		R3/8	10.5	44	77			
DCA11-CPD16-04	16	R1/2	13.5	47	80	33	26.5	24
DCA11-CPD16-06		R3/4	15	49	82			

## DCA21-CPL L型螺纹弯头



型号	ΦD	R	L <sub>1</sub>	L <sub>2</sub>	L <sub>3</sub>	ΦD1	HA
DCA21-CPL04-M5	4	M5	3.5	22.5	19	11.5	10
DCA21-CPL04-M6		M6	4	23			
DCA21-CPL04-01	4	R1/8	7.5	25	19	11.5	17
DCA21-CPL04-02		R1/4	9.5	28			
DCA21-CPL04-03	4	R3/8	10.5	29.5	19	11.5	17
DCA21-CPL06-M5		M5	3.5	23.2			
DCA21-CPL06-M6	6	M6	4	23.7	19.2	13.5	12
DCA21-CPL06-01		R1/8	7.5	25.7			
DCA21-CPL06-02	6	R1/4	9.5	28.2	19.2	13.5	14
DCA21-CPL06-03		R3/8	10.5	29.7			
DCA21-CPL06-04	6	R1/2	13.5	33.2	19.2	13.5	21
DCA21-CPL08-01		R1/8	7.5	29.5			
DCA21-CPL08-02	8	R1/4	9.5	31.5	22.5	15	14
DCA21-CPL08-03		R3/8	10.5	33			

型号	ΦD	R	L <sub>1</sub>	L <sub>2</sub>	L <sub>3</sub>	ΦD1	HA
DCA21-CPL08-04	8	R1/2	13.5	36.5	22.5	15	21
DCA21-CPL10-01		R1/8	7.5	35			
DCA21-CPL10-02	10	R1/4	9.5	37	27.8	19	17
DCA21-CPL10-03		R3/8	10.5	38			
DCA21-CPL10-04	10	R1/2	13.5	41.8	27.8	19	17
DCA21-CPL12-01		R1/8	7.5	36			
DCA21-CPL12-02	12	R1/4	9.5	38.5	29.5	21.5	21
DCA21-CPL12-03		R3/8	10.5	39.5			
DCA21-CPL12-04	12	R1/2	13.5	42.5	29.5	21.5	21
DCA21-CPL14-03		R3/8	10.5	41			
DCA21-CPL14-04	14	R1/2	13.5	44	30.5	23.5	22
DCA21-CPL16-03		R3/8	10.5	44			
DCA21-CPL16-04	16	R1/2	13.5	47	33	26.5	24
DCA21-CPL16-06		R3/4	15	49			

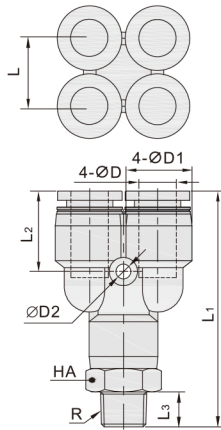
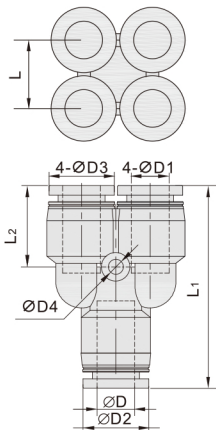
## DCA31-CPXG

## DCA32-CPXT



## DCA31-CPXG

## DCA32-CPXT



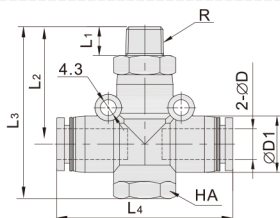
### DCA31-CPXG Y型五通

型号	ΦD	ΦD1	ΦD2	ΦD3	ΦD4	L	L <sub>1</sub>	L <sub>2</sub>
DCA31-CPXG06-4	6	4	11.3	11.3	3.2	11	36.5	15
DCA31-CPXG08		8	14.8	14.8		15	41	16.5
DCA31-CPXG08-04	8	4	14.8	11.3	3.2	11	38.5	15
DCA31-CPXG08-06		6	13.3	13.3		13	40	15.5

### DCA32-CPXT Y型五通

型号	ΦD	R	L <sub>3</sub>	ΦD1	ΦD2	L	L <sub>1</sub>	L <sub>2</sub>	HA
DCA32-CPXT04-01	4	R1/8	7.5	11.3	3.2	11	43	15	12
DCA32-CPXT04-02		R1/4	9.5				45.5	15	14
DCA32-CPXT06-01	6	R1/8	7.5	13.3	3.2	13	47	15.5	14
DCA32-CPXT06-02		R1/4	9.5				49		17
DCA32-CPXT06-03	6	R3/8	10.5	13.3	3.2	13	50.5	15.5	17
DCA32-CPXT06-04		R1/2	13.5				54		21
DCA32-CPXT08-01	8	R1/8	7.5	14.8	3.2	15	48	16.5	14
DCA32-CPXT08-02		R1/4	9.5				50	16.5	
DCA32-CPXT08-03	8	R3/8	10.5	14.8	3.2	15	51.5	16.5	17
DCA32-CPXT08-04		R1/2	13.5				55	16.5	21

## DCA41-CPGT 外六角双向接头



型号	ΦD	ΦD1	ΦD2	ΦD3	ΦD4	L	L <sub>1</sub>	L <sub>2</sub>
DCA41-CPGT04-01	4	R1/8	7.5	16	27.5	47	13.3	12
DCA41-CPGT06-01		R1/4	9.5	19.5	33.5	54	14	
DCA41-CPGT06-02	6	R1/4	9.5	19.5	33.5	54	14.8	12
DCA41-CPGT08-01		R1/8	7.5	16	27.5	51	14.8	
DCA41-CPGT08-02	8	R1/4	9.5	19.5	33.5	54	18.7	14
DCA41-CPGT10-02		R1/4	9.5	19.5	33.5	63	18.7	

