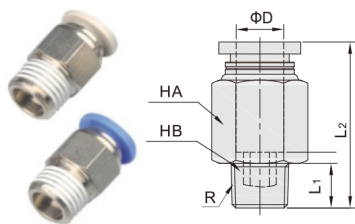


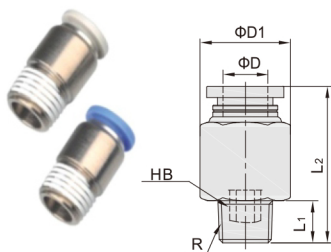
DCA01-CPC螺纹直通



型号	ΦD	R	L ₁	L ₂	HB	HA
DCA01-CPC04-M5	M5	3.5	20.3	2	10	17
DCA01-CPC04-M6	M6	4	20.8			
DCA01-CPC04-01	R1/8	7.5	20	3	14	
DCA01-CPC04-02	R1/4	9.5	18			
DCA01-CPC04-03	R3/8	10.5	19	4	17	
DCA01-CPC06-M5	M5	3.5	21			
DCA01-CPC06-M6	M6	4	20.5			
DCA01-CPC06-01	R1/8	7.5	20.5	14	8	
DCA01-CPC06-02	R1/4	9.5	22.5			
DCA01-CPC06-03	R3/8	10.5	20.5	4	17	
DCA01-CPC06-04	R1/2	13.5	24.5			
DCA01-CPC08-01	R1/8	7.5	25.5	5	14	
DCA01-CPC08-02	R1/4	9.5	24.5			
DCA01-CPC08-03	R3/8	10.5	21.5	6	17	

型号	ΦD	R	L ₁	L ₂	HB	HA
DCA01-CPC08-04	8	R1/2	13.5	25.5	6	21
DCA01-CPC10-01	10	R1/8	7.5	29.5	5	17
DCA01-CPC10-02		R1/4	9.5	31	6	
DCA01-CPC10-03	10	R3/8	10.5	28.5	8	21
DCA01-CPC10-04		R1/2	13.5	26.5		
DCA01-CPC12-01	12	R1/8	7.5	31	5	6
DCA01-CPC12-02	R1/4	9.5	33	6		
DCA01-CPC12-03	12	R3/8	10.5	30	8	24
DCA01-CPC12-04		R1/2	13.5	32.5		
DCA01-CPC14-03	14	R3/8	10.5	34	8	22
DCA01-CPC14-04		R1/2	13.5	33		
DCA01-CPC16-03	16	R3/8	10.5	36.5	8	24
DCA01-CPC16-04		R1/2	13.5	38.5		
DCA01-CPC16-06	16	R3/4	15	41	/	27

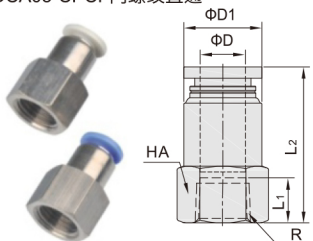
DCA02-CPOC圆螺纹直通



型号	ΦD	R	L ₁	L ₂	ΦD1	HB
DCA02-CPOC04-M5	M5	3.5	20.3	10	2	17
DCA02-CPOC04-M6	M6	4	10	2		
DCA02-CPOC04-01	R1/8	7.5	20	10	3	
DCA02-CPOC04-02	R1/4	9.5	18	14		
DCA02-CPOC06-M5	M5	3.5	19	12	2	
DCA02-CPOC06-M6	M6	4	12	2		
DCA02-CPOC06-01	R1/8	7.5	20.5	12	4	21
DCA02-CPOC06-02	R1/4	9.5	22.5	14		
DCA02-CPOC06-03	R3/8	10.5	20.5	17	4	8
DCA02-CPOC06-04	R1/2	13.5	24.5	21		
DCA02-CPOC08-01	R1/8	7.5	25.5	14	5	10
DCA02-CPOC08-02	R1/4	9.5	24.5	14		

型号	ΦD	R	L ₁	L ₂	ΦD1	HB
DCA02-CPOC08-03	8	R3/8	10.5	21.5	17	6
DCA02-CPOC08-04	8	R1/2	13.5	25.5	21	6
DCA02-CPOC10-01	10	R1/8	7.5	29.5	17	6
DCA02-CPOC10-02		R1/4	9.5	31		
DCA02-CPOC10-03	10	R3/8	10.5	28.5	8	21
DCA02-CPOC10-04		R1/2	13.5	26.5		
DCA02-CPOC12-01	12	R1/8	7.5	31	5	6
DCA02-CPOC12-02	R1/4	9.5	33			
DCA02-CPOC12-03	12	R3/8	10.5	30	8	24
DCA02-CPOC12-04		R1/2	13.5	32.5		
DCA02-CPOC16-03	16	R3/8	10.5	36.5	24	10
DCA02-CPOC16-04		R1/2	13.5	38.5		

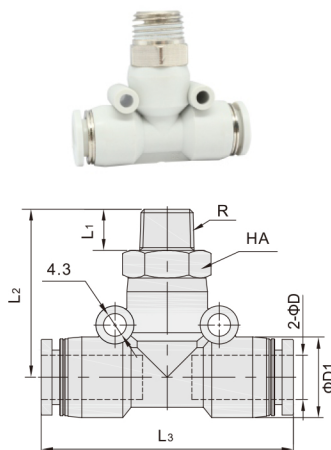
DCA03-CPCF内螺纹直通



型号	ΦD	R	L ₁	L ₂	ΦD1	HA
DCA03-CPCF04-M5	M5	5.5	21	10	10	17
DCA03-CPCF04-M6	M6	6	21.5			
DCA03-CPCF04-01	R1/8	8.5	24	14	17	
DCA03-CPCF04-02	R1/4	11	26.5			
DCA03-CPCF06-M5	M5	5.5	21.5	12	14	
DCA03-CPCF06-M6	M6	6	22			
DCA03-CPCF06-01	R1/8	8.5	24.5	12	21	
DCA03-CPCF06-02	R1/4	11	27			
DCA03-CPCF06-03	R3/8	12	28	14	24	
DCA03-CPCF06-04	R1/2	14	30			
DCA03-CPCF08-01	R1/8	8.5	26	14	24	
DCA03-CPCF08-02	R1/4	11	28.5			

型号	ΦD	R	L ₁	L ₂	ΦD1	HA
DCA03-CPCF08-03	8	R3/8	12	29.5	14	21
DCA03-CPCF08-04	R1/2	14	31.5			
DCA03-CPCF10-01	10	R1/8	8.5	29.5	17	21
DCA03-CPCF10-02		R1/4	11	32.7		
DCA03-CPCF10-03	10	R3/8	12	33	24	21
DCA03-CPCF10-04		R1/2	14	35.7		
DCA03-CPCF12-01	12	R1/8	8.5	31	20	21
DCA03-CPCF12-02	R1/4	11	33.5			
DCA03-CPCF12-03	12	R3/8	12	34.5	24	21
DCA03-CPCF12-04		R1/2	14	36.5		
DCA03-CPCF16-03	16	R3/8	12	36.5	24	24
DCA03-CPCF16-04		R1/2	14	38.5		

DCA04-CPB螺纹正三通



型号	ΦD	R	L ₁	L ₂	L ₃	ΦD1	HA
DCA04-CPB04-M5	M5	3.4	22.5	38	11.5	10	10
DCA04-CPB04-M6	M6	4	23	38	11.5	10	
DCA04-CPB04-01	R1/8	7.5	25	38	11.5	10	14
DCA04-CPB04-02	R1/4	9.5	28	38	11.5	14	
DCA04-CPB04-03	R3/8	10.5	29.5	38	11.5	17	12
DCA04-CPB06-M5	M5	3.5	23.2	39	13.5	12	
DCA04-CPB06-M6	M6	4	23.7	39	13.5	12	14
DCA04-CPB06-01	R1/8	7.5	25.7	39	13.5	12	
DCA04-CPB06-02	R1/4	9.5	28.2	39	13.5	14	17
DCA04-CPB06-03	R3/8	10.5	29.7	39	13.5	17	
DCA04-CPB06-04	R1/2	13.5	33.2	39	13.5	21	14
DCA04-CPB08-01	R1/8	7.5	29.5	45	15	14	
DCA04-CPB08-02	R1/4	9.5	31.5	45	15	14	15
DCA04-CPB08-03	R3/8	10.5	33	45	15	17	

型号	ΦD	R	L ₁	L ₂	L ₃	ΦD1	HA
DCA04-CPB08-04	8	R1/2	13.5	45	36.5	15	21
DCA04-CPB10-01	10	R1/8	7.5	57	35	19	17
DCA04-CPB10-02		R1/4	9.5	57	37	19	17
DCA04-CPB10-03	10	R3/8	10.5	57	38	19	17
DCA04-CPB10-04		R1/2	13.5	57	41.8	19	21
DCA04-CPB12-01	12	R1/8	7.5	59	36	21.5	21
DCA04-CPB12-02	12	R1/4	9.5	59	38.5	21.5	21
DCA04-CPB12-03		R3/8	10.5	59	39.5	21.5	21
DCA04-CPB12-04	12	R1/2	13.5	59	42.5	21.5	21
DCA04-CPB14-03		14	R3/8	10.5	60	41	23.5
DCA04-CPB14-04	R1/2		13.5	60	44	23.5	24
DCA04-CPB16-03	16	R3/8	10.5	66	44	26.5	24
DCA04-CPB16-04		R1/2	13.5	66	47	26.5	24
DCA04-CPB16-06	16	R3/4	15	66	49	26.5	27