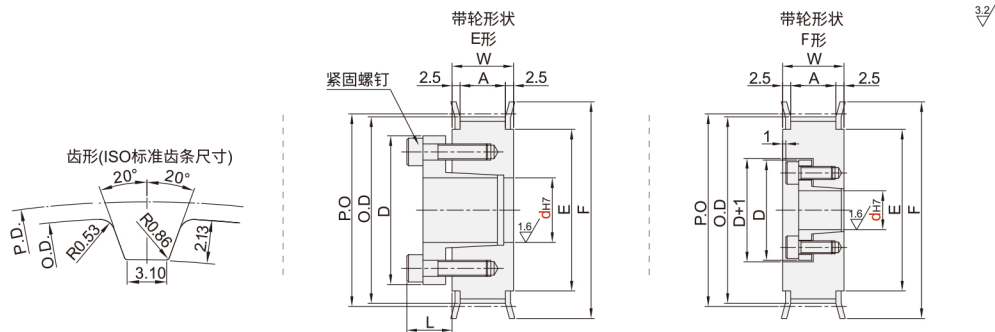


# 免键梯形齿同步带轮

◀ L型(齿距9.525)

型号				材质			表面处理		
皮带宽度12.7mm (1/2inch)	皮带宽度19.1mm (3/4inch)	皮带宽度25.4mm (1inch)	皮带宽度38.1mm (1.5inch)	带轮	法兰	衬套	带轮	法兰	衬套
A : 14 W : 19	A : 21 W : 26	A : 27 W : 32	A : 40 W : 45	铝合金	铝合金	S45C	本色阳极氧化	发黑	
VAB01□□L050	VAB11□□L075	VAB21□□L100	VAB31□□L150				S45C	SPCC	发黑
VAB03□□L050	VAB13□□L075	VAB23□□L100	VAB33□□L150	无电解镀锌					
VAB04□□L050	VAB14□□L075	VAB24□□L100	VAB34□□L150						



# 免键梯形齿同步带轮

◀ L型(齿距9.525)

胀套孔径尺寸

dH7	容许最大扭矩 N.m		D		(L)
	ST 胀套	SH 胀套	ST 胀套	SH 胀套	
8	16	8.5	25.5	24.5	8.5
10	39	18	30	29	
11	43	20	31	30	10.5
12	48	23	32	31	
14	73	37	35	36	12
15	78	39	36	37	
16	83	42	37	38	13
17	88	45	38	39	
18	154	48	43	40	
19	163	49	45	42	
20	171	97	46	46	14
22	186	110	48	47	
24	206	121	50	49	
25	216	124	52	51	
28	353	141	54	53	15.5
30	382	149	57	56	
32	412	163	59	58	16.5
35	451	173	63	61	



请按图示订货

## VAB01-L050-14-E-d8

型号	齿数	带轮形状	轴孔规格d H7	
VAB01-L050	14	E	E	F
	15	F	8-12	8 10



交期 Delivery

7天 发货

○本产品发货时间不含周日

同步带

14

型号		带轮形状	轴孔规格dH7(根据胀套孔径表选择)								P.D.	O.D.	F	E	A	W		
代码	齿数		L050		L075		L100		L150									
		E形 ST胀套	F形 SH胀套	E形 ST胀套	F形 SH胀套	E形 ST胀套	F形 SH胀套	E形 ST胀套	F形 SH胀套									
VAB01-L 050	14	8-12(无9)	8 10	10-12(无9)	8 10	10-12	/	11-12	/	42.45	41.68	48	35	L050	A: 14 W: 19			
	15									1112	45.48					44.72	55	40
VAB03-L 050	16	10-17(无9, 13)	10-12(无9)	10-17(无9, 13)	10-15	10-17	10-15	11-15	11-15	48.51	47.75	61	45					
	17									51.54	50.78					54.57	53.81	
VAB04-L 050	18	12-17(无9, 13)	12-25(无9, 13, 21, 23)	12-17(无9, 13)	10-17	10-17	11-17	11-17	11-17	57.61	56.84	67	50					
	19									60.64	59.88					67	50	
VAB11-L 075	20	12-30(无9, 13, 21, 23, 26, 27, 29)	12	12-25(无9, 13, 21, 23)	12, 13, 14, 15, 16, 17, 18, 19, 20, 22, 24, 25, 26, 28, 30	12, 13, 14, 15, 16, 17, 18, 19, 20, 22, 24, 25, 26, 28, 30, 32	12, 13, 14, 15, 16, 17, 18, 19, 20, 22, 24, 25, 26, 28, 30, 32, 35	12, 13, 14, 15, 16, 17, 18, 19, 20, 22, 24, 25, 26, 28, 30, 32, 35	12, 13, 14, 15, 16, 17, 18, 19, 20, 22, 24, 25, 26, 28, 30, 32, 35	63.67	62.91	70	56					
	21									66.7	65.94					80	60	
VAB13-L 075	22	12, 13, 14, 15, 16, 17, 18, 19, 20, 22, 24, 25, 26, 28, 30, 32	12	12, 13, 14, 15, 16, 17, 18, 19, 20, 22, 24, 25, 26, 28, 30, 32	12, 13, 14, 15, 16, 17, 18, 19, 20, 22, 24, 25, 26, 28, 30, 32	12, 13, 14, 15, 16, 17, 18, 19, 20, 22, 24, 25, 26, 28, 30, 32	12, 13, 14, 15, 16, 17, 18, 19, 20, 22, 24, 25, 26, 28, 30, 32	12, 13, 14, 15, 16, 17, 18, 19, 20, 22, 24, 25, 26, 28, 30, 32	12, 13, 14, 15, 16, 17, 18, 19, 20, 22, 24, 25, 26, 28, 30, 32	72.77	72	87	67					
	24									75.8	75.04					78.83	78.07	95
VAB14-L 075	25	12, 13, 14, 15, 16, 17, 18, 19, 20, 22, 24, 25, 26, 28, 30, 32	12	12, 13, 14, 15, 16, 17, 18, 19, 20, 22, 24, 25, 26, 28, 30, 32	12, 13, 14, 15, 16, 17, 18, 19, 20, 22, 24, 25, 26, 28, 30, 32	12, 13, 14, 15, 16, 17, 18, 19, 20, 22, 24, 25, 26, 28, 30, 32	12, 13, 14, 15, 16, 17, 18, 19, 20, 22, 24, 25, 26, 28, 30, 32	12, 13, 14, 15, 16, 17, 18, 19, 20, 22, 24, 25, 26, 28, 30, 32	12, 13, 14, 15, 16, 17, 18, 19, 20, 22, 24, 25, 26, 28, 30, 32	77.83	77.07	99	80					
	26									84.89	84.13			90.96	90.2	104	84	
VAB21-L 100	27	15, 16, 17, 18, 19, 20, 22, 24, 25, 26, 28, 30, 32	12	15-35(无21, 23, 26, 27, 29, 31)	15-32(无21, 23, 26, 27, 29, 31)	15-35(无21, 23, 26, 27, 29, 31)	15-35(无21, 23, 26, 27, 29, 31)	15-35(无21, 23, 26, 27, 29, 31)	15-35(无21, 23, 26, 27, 29, 31)	97.02	96.26	111	90					
	28									103.08	102.32			109.15	108.39	123	102	
VAB23-L 100	29	16-35(无21, 23, 26, 27, 29, 31)	12	16-32(无21, 23, 26, 27, 29, 31)	16-35(无21, 23, 26, 27, 29, 31)	16-35(无21, 23, 26, 27, 29, 31)	16-35(无21, 23, 26, 27, 29, 31)	16-35(无21, 23, 26, 27, 29, 31)	16-35(无21, 23, 26, 27, 29, 31)	109.15	108.39	127	105					
	30									115.21	114.45			121.28	120.51	131	110	
VAB24-L 100	31	16, 17, 18, 19, 20, 22, 24, 25, 26, 28, 30, 32, 35	12	16-35(无21, 23, 26, 27, 29, 31)	16-32(无21, 23, 26, 27, 29, 31)	16-35(无21, 23, 26, 27, 29, 31)	16-35(无21, 23, 26, 27, 29, 31)	16-35(无21, 23, 26, 27, 29, 31)	16-35(无21, 23, 26, 27, 29, 31)	127.34	126.58	135	115					
	32									133.4	132.64			145.53	144.77	152	130	
VAB31-L 150	33	16, 17, 18, 19, 20, 22, 24, 25, 26, 28, 30, 32, 35	12	16-35(无21, 23, 26, 27, 29, 31)	16-32(无21, 23, 26, 27, 29, 31)	16-35(无21, 23, 26, 27, 29, 31)	16-35(无21, 23, 26, 27, 29, 31)	16-35(无21, 23, 26, 27, 29, 31)	16-35(无21, 23, 26, 27, 29, 31)	145.53	144.77	152	130					
	34									151.6	150.83			160	140			
VAB33-L 150	35	16, 17, 18, 19, 20, 22, 24, 25, 26, 28, 30, 32, 35	12	16-35(无21, 23, 26, 27, 29, 31)	16-32(无21, 23, 26, 27, 29, 31)	16-35(无21, 23, 26, 27, 29, 31)	16-35(无21, 23, 26, 27, 29, 31)	16-35(无21, 23, 26, 27, 29, 31)	16-35(无21, 23, 26, 27, 29, 31)	151.6	150.83	160	140					
	36																	
VAB34-L 150	38	16, 17, 18, 19, 20, 22, 24, 25, 26, 28, 30, 32, 35	12	16-35(无21, 23, 26, 27, 29, 31)	16-32(无21, 23, 26, 27, 29, 31)	16-35(无21, 23, 26, 27, 29, 31)	16-35(无21, 23, 26, 27, 29, 31)	16-35(无21, 23, 26, 27, 29, 31)	16-35(无21, 23, 26, 27, 29, 31)	151.6	150.83	160	140					
	40																	
	42	16, 17, 18, 19, 20, 22, 24, 25, 26, 28, 30, 32, 35	12	16-35(无21, 23, 26, 27, 29, 31)	16-32(无21, 23, 26, 27, 29, 31)	16-35(无21, 23, 26, 27, 29, 31)	16-35(无21, 23, 26, 27, 29, 31)	16-35(无21, 23, 26, 27, 29, 31)	16-35(无21, 23, 26, 27, 29, 31)	151.6	150.83	160	140					
	44																	
	48	16, 17, 18, 19, 20, 22, 24, 25, 26, 28, 30, 32, 35	12	16-35(无21, 23, 26, 27, 29, 31)	16-32(无21, 23, 26, 27, 29, 31)	16-35(无21, 23, 26, 27, 29, 31)	16-35(无21, 23, 26, 27, 29, 31)	16-35(无21, 23, 26, 27, 29, 31)	16-35(无21, 23, 26, 27, 29, 31)	151.6	150.83	160	140					
	50																	

同步带

14