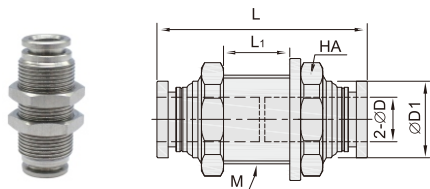


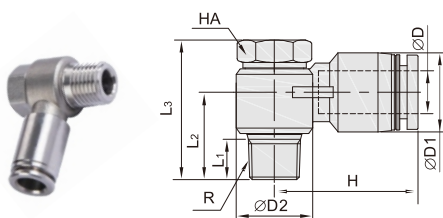
# 全铜气动接头

HDCD08-BPM全铜隔板直通



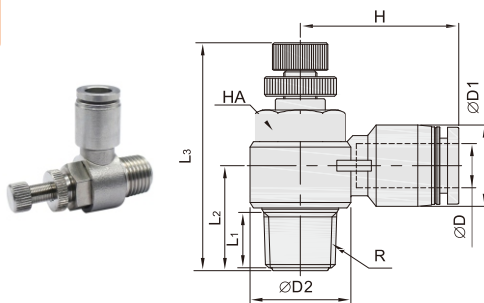
型号	ΦD	ΦD1	L	L <sub>1</sub>	M	HA
HDCD08-BPM04	4	8.5	30.3	8	M10×1	14
HDCD08-BPM06	6	12	39	13	M14×1	17
HDCD08-BPM08	8	14	41.4	14	M16×1	19
HDCD08-BPM10	10	16	45.3	13	M18×1	21
HDCD08-BPM12	12	18	49	18	M20×1	24

HDCD09-BPH全铜外六角接头



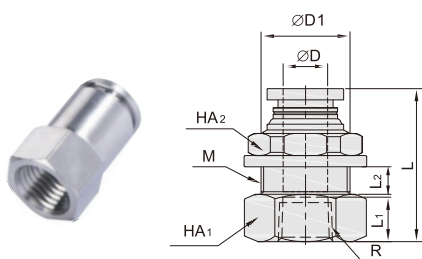
型号	ΦD	R	L <sub>1</sub>	L <sub>2</sub>	L <sub>3</sub>	ΦD1	ΦD2	H	HA
HDCD09-BPH04-01	4	R1/8	7.5	15.5	26.5	8.5	13	22	12
HDCD09-BPH04-02		R1/4	9.5	17.5	30		16.5	23.5	14
HDCD09-BPH06-01	6	R1/8	7.5	15.5	26.5	12	13	26.5	12
HDCD09-BPH06-02		R1/4	9.5	17.5	30		16.5	27.5	14
HDCD09-BPH06-03		R3/8	10.5	19	32.5		21	31	19
HDCD09-BPH08-01	8	R1/8	7.5	15.5	26.5	14	13	27.5	12
HDCD09-BPH08-02		R1/4	9.5	17.5	30		16.5	30	14
HDCD09-BPH08-03		R3/8	10.5	19	32.5		21	32	19
HDCD09-BPH08-04		R1/2	13.5	24	39		27	35	24
HDCD09-BPH10-01	10	R1/8	7.5	16.5	26.5	16	13	30	12
HDCD09-BPH10-02		R1/4	9.5	17.5	30		16.5	31	14
HDCD09-BPH10-03		R3/8	10.5	19	32.5		21	35	19
HDCD09-BPH10-04		R1/2	13.5	24	39		27	37	24

HDCD11-BSC全铜节流阀标准型



型号	ΦD	R	L <sub>1</sub>	L <sub>2</sub>	L <sub>3</sub> (max)	ΦD1	ΦD2	H	HA
HDCD11-BSC04-M5	4	M5	3.5	11	38	8.5	10	21	8
HDCD11-BSC04-01		R1/8	6.4	15	43		13	22	12
HDCD11-BSC04-02		R1/4	9	17	48		16.5	23.5	14
HDCD11-BSC06-M5	6	M5	3.5	11	38	12	10	24	8
HDCD11-BSC06-01		R1/8	6.4	15	43		13	26.5	12
HDCD11-BSC06-02		R1/4	9	17	48		16.5	27.5	14
HDCD11-BSC06-03	R3/8	10.5	20	53	21	31	19		
HDCD11-BSC08-01	8	R1/8	6.4	15	43	14	13	27.5	12
HDCD11-BSC08-02		R1/4	9	17	48		16.5	30	14
HDCD11-BSC08-03		R3/8	10.5	20	53		21	32	19
HDCD11-BSC08-04		R1/2	14	26	61		27	35	24
HDCD11-BSC10-01	10	R1/8	6.4	16	43	16	13	30	12
HDCD11-BSC10-02		R1/4	9	17	48		16.5	31	14
HDCD11-BSC10-03		R3/8	10.5	20	53		21	35	19
HDCD11-BSC10-04		R1/2	14	26	61		27	37	24

HDCD12-BPMF全铜隔板内螺纹直通



型号	ΦD	R	L	L <sub>1</sub>	L <sub>2</sub>	ΦD1			M
HDCD12-BPMF04-01	4	R1/8	23	8.5	6	8.5	14	14	M10×1
HDCD12-BPMF04-02		R1/4	25.5	11					
HDCD12-BPMF06-01	6	R1/8	28	8.5	7	12	17	17	M14×1
HDCD12-BPMF06-02		R1/4	30.5	11					
HDCD12-BPMF06-03		R3/8	31.5	12					
HDCD12-BPMF08-01	8	R1/8	29	8.5	7.5	14	19	19	M16×1
HDCD12-BPMF08-02		R1/4	31.5	11					
HDCD12-BPMF08-03		R3/8	32.5	12					
HDCD12-BPMF08-04		R1/2	34.5	14					
HDCD12-BPMF10-01	10	R1/8	31	8.5	9.5	16	21	21	M18×1
HDCD12-BPMF10-02		R1/4	33.5	11					
HDCD12-BPMF10-03		R3/8	34.5	12					
HDCD12-BPMF10-04	R1/2	36.5	14			24			
HDCD12-BPMF12-02	12	R1/4	35	11	10	18	24	24	M20×1
HDCD12-BPMF12-03		R3/8	36	12					
HDCD12-BPMF12-04		R1/2	38	14					