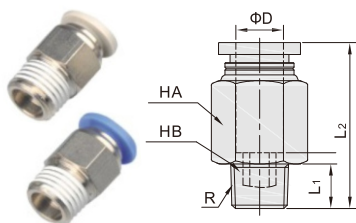


塑料气动接头

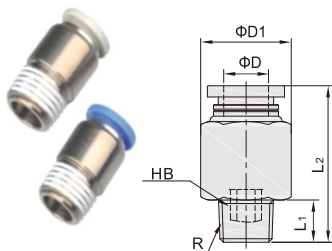
HDCA01-CPC螺纹直通



型号	ΦD	R	L ₁	L ₂	HB	HA
HDCA01-CPC04-M5	4	M5	3.5	20.3	2	10
HDCA01-CPC04-M6		M6	4	20.8		
HDCA01-CPC04-01	4	R1/8	7.5	20	3	14
HDCA01-CPC04-02		R1/4	9.5	18		
HDCA01-CPC04-03		R3/8	10.5	19		
HDCA01-CPC06-M5	6	M5	3.5	21	2	12
HDCA01-CPC06-M6		M6	4			
HDCA01-CPC06-01	6	R1/8	7.5	20.5	4	17
HDCA01-CPC06-02		R1/4	9.5	22.5		
HDCA01-CPC06-03		R3/8	10.5	20.5		
HDCA01-CPC06-04	6	R1/2	13.5	24.5	4	21
HDCA01-CPC08-01		R1/8	7.5	25.5		
HDCA01-CPC08-02	8	R1/4	9.5	24.5	6	17
HDCA01-CPC08-03		R3/8	10.5	21.5		

型号	ΦD	R	L ₁	L ₂	HB	HA
HDCA01-CPC08-04	8	R1/2	13.5	25.5	6	21
HDCA01-CPC10-01		R1/8	7.5	29.5		
HDCA01-CPC10-02	10	R1/4	9.5	31	6	17
HDCA01-CPC10-03		R3/8	10.5	28.5		
HDCA01-CPC10-04		R1/2	13.5	26.5		
HDCA01-CPC12-01	12	R1/8	7.5	31	5	5
HDCA01-CPC12-02		R1/4	9.5	33		
HDCA01-CPC12-03	12	R3/8	10.5	30	6	21
HDCA01-CPC12-04		R1/2	13.5	32.5		
HDCA01-CPC14-03		R3/8	10.5	34		
HDCA01-CPC14-04	R1/2	13.5	33			
HDCA01-CPC16-03	16	R3/8	10.5	36.5	8	24
HDCA01-CPC16-04		R1/2	13.5	38.5		
HDCA01-CPC16-06	16	R3/4	15	41	/	27

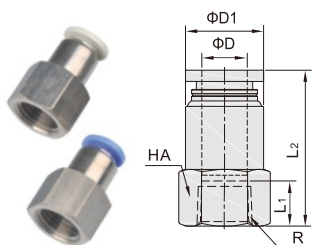
HDCA02-CPOC圆螺纹直通



型号	ΦD	R	L ₁	L ₂	ΦD1	HB
HDCA02-CPOC04-M5	4	M5	3.5	20.3	10	2
HDCA02-CPOC04-M6		M6	4	10	2	
HDCA02-CPOC04-01	4	R1/8	7.5	20	10	3
HDCA02-CPOC04-02		R1/4	9.5	18	14	
HDCA02-CPOC06-M5		M5	3.5	19	12	
HDCA02-CPOC06-M6	M6	4	12	2		
HDCA02-CPOC06-01	6	R1/8	7.5	20.5	12	4
HDCA02-CPOC06-02		R1/4	9.5	22.5	14	
HDCA02-CPOC06-03		R3/8	10.5	20.5	17	
HDCA02-CPOC06-04	6	R1/2	13.5	24.5	21	4
HDCA02-CPOC08-01		R1/8	7.5	25.5	14	
HDCA02-CPOC08-02	8	R1/4	9.5	24.5		

型号	ΦD	R	L ₁	L ₂	ΦD1	HB
HDCA02-CPOC08-03	8	R3/8	10.5	21.5	17	6
HDCA02-CPOC08-04		R1/2	13.5	25.5	21	
HDCA02-CPOC10-01	10	R1/8	7.5	29.5		5
HDCA02-CPOC10-02		R1/4	9.5	31	17	
HDCA02-CPOC10-03		R3/8	10.5	28.5		
HDCA02-CPOC10-04	10	R1/2	13.5	26.5		8
HDCA02-CPOC12-01		R1/8	7.5	31		
HDCA02-CPOC12-02	12	R1/4	9.5	33	21	6
HDCA02-CPOC12-03		R3/8	10.5	30		
HDCA02-CPOC12-04		R1/2	13.5	32.5		
HDCA02-CPOC16-03	16	R3/8	10.5	36.5	24	8
HDCA02-CPOC16-04		R1/2	13.5	38.5	24	

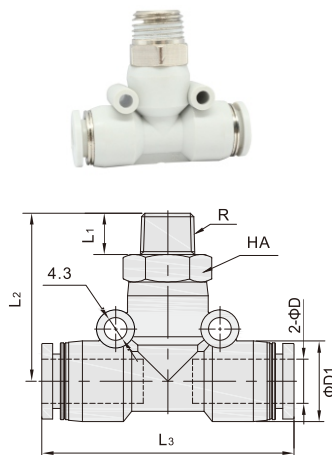
HDCA03-CPCF内螺纹直通



型号	ΦD	R	L ₁	L ₂	ΦD1	HA
HDCA03-CPCF04-M5	4	M5	5.5	21	10	10
HDCA03-CPCF04-M6		M6	6	21.5		
HDCA03-CPCF04-01	4	R1/8	8.5	24	10	14
HDCA03-CPCF04-02		R1/4	11	26.5		
HDCA03-CPCF06-M5		M5	5.5	21.5		
HDCA03-CPCF06-M6	M6	6	22			
HDCA03-CPCF06-01	6	R1/8	8.5	24.5	12	14
HDCA03-CPCF06-02		R1/4	11	27		
HDCA03-CPCF06-03		R3/8	12	28		
HDCA03-CPCF06-04	6	R1/2	14	30	14	24
HDCA03-CPCF08-01		R1/8	8.5	26		
HDCA03-CPCF08-02	8	R1/4	11	28.5	14	17

型号	ΦD	R	L ₁	L ₂	ΦD1	HA
HDCA03-CPCF08-03	8	R3/8	12	29.5	14	21
HDCA03-CPCF08-04		R1/2	14	31.5		
HDCA03-CPCF10-01	10	R1/8	8.5	29.5	17	17
HDCA03-CPCF10-02		R1/4	11	32.7		
HDCA03-CPCF10-03		R3/8	12	33		
HDCA03-CPCF10-04	10	R1/2	14	35.7	17	24
HDCA03-CPCF12-01		R1/8	8.5	31		
HDCA03-CPCF12-02	12	R1/4	11	33.5	20	21
HDCA03-CPCF12-03		R3/8	12	34.5		
HDCA03-CPCF12-04		R1/2	14	36.5		
HDCA03-CPCF16-03	16	R3/8	12	38.5	24	24
HDCA03-CPCF16-04		R1/2	14	38.5		

HDCA04-CPB螺纹正三通



型号	ΦD	R	L ₁	L ₂	L ₃	ΦD1	HA
HDCA04-CPB04-M5	4	M5	3.4	22.5	38	11.5	10
HDCA04-CPB04-M6		M6	4	23	38	11.5	10
HDCA04-CPB04-01	4	R1/8	7.5	25	38	11.5	10
HDCA04-CPB04-02		R1/4	9.5	28	38	11.5	14
HDCA04-CPB04-03		R3/8	10.5	29.5	38	11.5	17
HDCA04-CPB06-M5	6	M5	3.5	23.2	39	13.5	12
HDCA04-CPB06-M6		M6	4	23.7	39	13.5	12
HDCA04-CPB06-01	6	R1/8	7.5	25.7	39	13.5	12
HDCA04-CPB06-02		R1/4	9.5	28.2	39	13.5	14
HDCA04-CPB06-03		R3/8	10.5	29.7	39	13.5	17
HDCA04-CPB06-04	6	R1/2	13.5	33.2	39	13.5	21
HDCA04-CPB08-01		R1/8	7.5	29.5	45	15	14
HDCA04-CPB08-02	8	R1/4	9.5	31.5	45	15	14
HDCA04-CPB08-03		R3/8	10.5	33	45	15	17

型号	ΦD	R	L ₁	L ₂	L ₃	ΦD1	HA
HDCA04-CPB08-04	8	R1/2	13.5	45	36.5	15	21
HDCA04-CPB10-01		R1/8	7.5	57	35	19	17
HDCA04-CPB10-02	10	R1/4	9.5	57	37	19	17
HDCA04-CPB10-03		R3/8	10.5	57	38	19	17
HDCA04-CPB10-04		R1/2	13.5	57	41.8	19	21
HDCA04-CPB12-01	12	R1/8	7.5	59	36	21.5	21
HDCA04-CPB12-02		R1/4	9.5	59	38.5	21.5	21
HDCA04-CPB12-03	12	R3/8	10.5	59	39.5	21.5	21
HDCA04-CPB12-04		R1/2	13.5	59	42.5	21.5	21
HDCA04-CPB14-03		R3/8	10.5	60	41	23.5	22
HDCA04-CPB14-04	14	R1/2	13.5	60		23.5	24
HDCA04-CPB16-03		R3/8	10.5	66	44	26.5	24
HDCA04-CPB16-04	16	R1/2	13.5	66	47	26.5	24
HDCA04-CPB16-06		R3/4	15	66	49	26.5	27